

# Porch-Lift®

## Commercial Vertical Platform Lifts



**ThyssenKrupp Access**  
Accessibility Division



ThyssenKrupp

# Function and design become one statement for your building

For 60 years, ThyssenKrupp Access has provided unparalleled versatility in accessibility solutions and fully complies with the ADA Accessibility Guidelines (ADAAG). You can be assured that whatever design, structural or budget challenge you face, ThyssenKrupp Access has a variety of product solutions that will fit your specific needs.

## Why a vertical platform lift?

Vertical platform lifts (VPL) are the most popular alternative to unsightly ramps and, in some cases, to low rise elevators. These lifts overcome architectural barriers with cost and space efficiency as they lift a person just a few inches to heights of up to 14 feet.

Our Porch-Lift VPLs are proven performers, providing access without the headaches and costs of constant repairs. And we back our Porch-Lifts with a full two-year drive train and one-year parts warranty.

## Why choose ThyssenKrupp Access?

### Expertise

We have assembled the largest engineering, research, and design staff in the industry dedicated to bringing you products that meet your growing accessibility needs. They are ready to work with you to assist with product customization to meet the most demanding design and application needs. If you have an accessibility problem, there is no other group of people more capable and committed to helping you...it's our tradition.

### Convenience

It's easy to include a Porch-Lift VPL in your project. Call for a free CD-ROM or go online for complete CSI specifications, insertable CAD details, comparison charts and more.

### Compliance

Our lifts conform to specifications established by the ASME A18.1 (formerly A17.1, Parts XX & XXI). The lifts carry the prestigious Underwriters Laboratories label when appropriately equipped.

While our lifts meet national standards, consult local authorities to establish local code requirements before ordering or specifying a lift. Our nationwide dealer network is well versed in ADAAG and ASME/ANSI requirements and can help ensure compliance with state and local codes.



A hospital needed to provide access to its raised dining area. Architects worked closely with our design engineers to custom design and fabricate a Porch-Lift to look like a spectacular balloon to enhance the appearance of their atrium (hoistway by others).

## Five models to choose from:

- **Standard**—Many times this product is encased in a hoistway to provide solutions from the simplest to the most sophisticated design.
- **Toe Guard**—Stationary panels surround and protect the underside of the platform without a hoistway, which means minimal structural changes to your facility.
- **Enclosure**—The lift is enclosed throughout its entire travel in an aluminum frame and acrylic panel hoistway.
- **EZE Enclosure**—This economical lift is enclosed by a modular steel or aluminum frame enclosure with steel or acrylic panels.
- **Portable**—Provides temporary wheelchair accessibility.

# Porch-Lift® Standard Model (S)

## The most popular lift for custom designs.

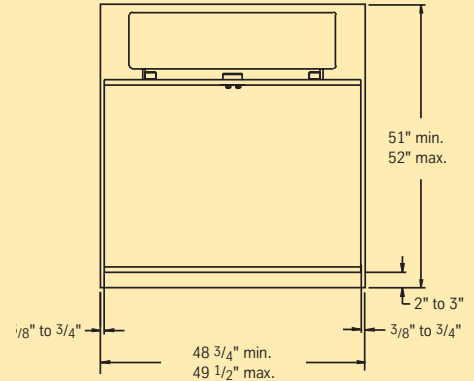
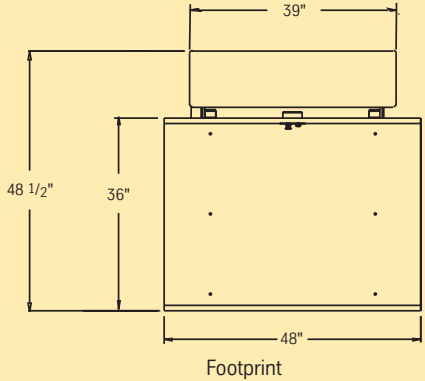
The popular PL-S model can be easily customized to blend with surrounding interiors and exteriors. Your dealer can install the lift in a hoistway that blends with surroundings, or completely concealed (hoistway by others). A selection of hoistway door and gate options available from ThyssenKrupp Access or from your contractor let you tailor the hoistway appearance to meet your architectural needs.



S model shown with stationary ramp.

### Typical Dimensions (Top view with 36"x48" platform)

S Model	Lift Height
S 36 .....	39"
S 50 .....	53"
S 72 .....	75"
S 96 .....	99"
S 120 .....	123"
S 144 .....	147"
S 168 .....	171"



**Corporate Headquarters:**  
Two-stop hoistway features a clear and frosted custom glass door at the lower landing.

**Elementary School:** A lift in a fully enclosed hoistway provides lower level access for a kindergartner.





# Porch-Lift® Toe Guard Model (TG)

The lift with Toe Guard protection meets codes without a hoistway.

This freestanding model provides access to your building with minimal construction, as no hoistway is needed for ADA compliance. Stationary lower landing walls and gate shield the underside of the platform as the platform rises in a telescoping movement.



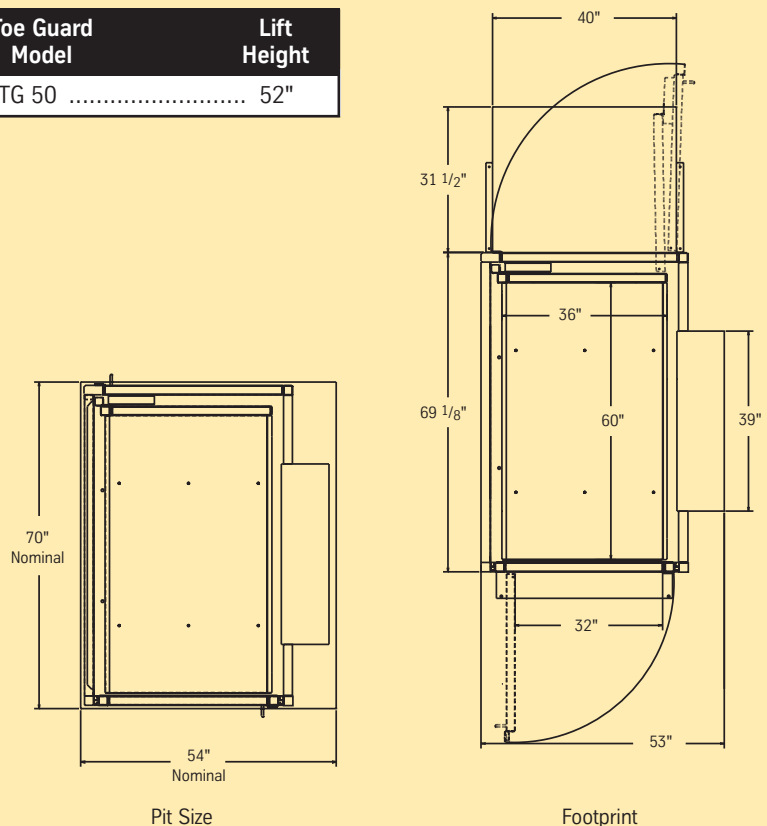
The "toe guard" feature works as a hoistway. Interlocks prevent the gate from opening until the lift has arrived at that level.



**Medical Center:** The rear parking lot was on a different level from the main floor of this medical center. The Porch-Lift provided a convenient way for patients to get from one level to the other.

## Typical Dimensions (Top view with 36"x60" platform)

Toe Guard Model	Lift Height
TG 50 .....	52"



# Porch-Lift® Enclosure Models



ENC model



EZE model

## The ENC 2.0 model with a stylish enclosure

The ENC model includes a modular aluminum enclosure, ideal for indoor or outdoor use, and gives you an elegant, turnkey installation without the cost and space needs of a contractor-built hoistway.

- Corrosion-resistant aluminum hoistway frame is maintenance-free. Fasteners are hidden for a clean, contemporary look.
- Shatterproof translucent acrylic panels in sides and doors give optimum visibility, or select high-pressure laminate panels.
- A full height door is provided at the lower landing and, for three-stop lifts, at the intermediate landing. A door or gate can be selected for the top landing.
- Select tinted windows, ventilation package, and acrylic dome for exterior installations for weather protection.

## The simple EZE enclosure

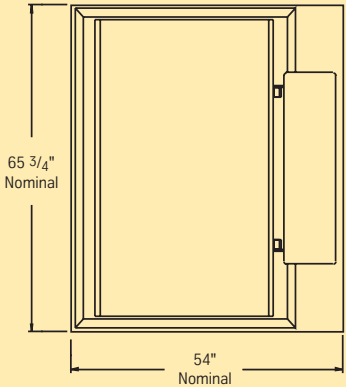
This flexible enclosure model is uniquely engineered to quickly provide maximum access to your facility with minimal site preparation. Select the steel frame for indoor applications, or for outdoor use choose the corrosion-resistant aluminum frame with acrylic panels and ventilation package.

- Select tinted windows, ventilation package, and acrylic dome for exterior installations for weather protection.

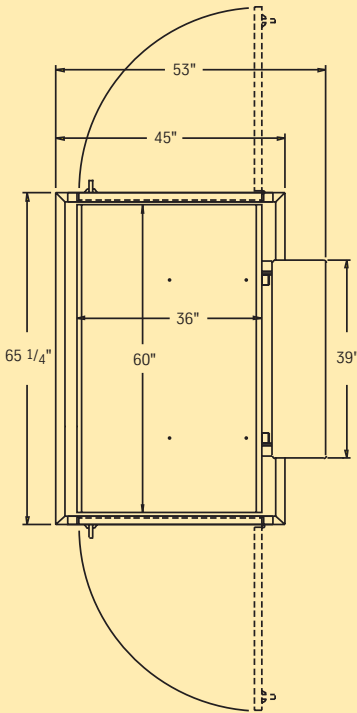
### Typical Dimensions

(Top view with 36"x60" platform)

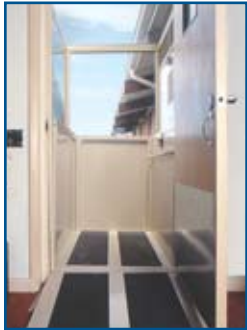
Enclosure Models	Lift Height	
	ENC	EZE
ENC/EZE 50.....	53".....	52"
ENC/EZE 72.....	75".....	74"
ENC/EZE 96.....	99".....	98"
ENC/EZE 120.....	123".....	122"
ENC/EZE 144.....	147".....	146"
ENC/EZE 168.....	171".....	170"



Pit Size



Footprint



(left) Choose a door or gate for the upper landing, and add an optional Auto-Opener™ for maximum convenience. The lift interior shown here is with acrylic panels and fixed access ramp.



(right) Select the forced air ventilation package, which includes automatic fan, battery backup, and emergency light, for passenger comfort and safety. An acrylic dome is also available.

# Porch-Lift® Portable Model (P)



This model provides temporary wheelchair accessibility at special events, stages, courtrooms and other venues where the need for access occurs only occasionally.

- Standard with four wheels, which attach to the frame base for easy maneuverability. A lifting lever and support block assist in the installation and removal of wheels.



A 10" ramp automatically unfolds when it has arrived at the upper landing. A 15" automatic folding ramp provides access at the lower level.



An adjustable switch allows you to choose the right lifting height to suit your needs. The model lifts up to 6 feet.

# Customize your Porch-Lift® to meet your unique needs.

## Gates and doors

Your dealer can assist you in selecting a factory supplied top gate and UL fire rated doors tailored to your application. Your contractor can also furnish custom gates and doors to coordinate with the building interior or exterior. Optional clear or bronze tinted acrylic panel inserts are available.



Flush mount 1 1/2 hour fire rated door

## AutoOpener™

An automatic power door/gate opener option is available for unassisted access at the press of a button.



42" high top landing gate with VDR™ mechanical interlock



Standard controls on the lifts include a constant-pressure directional paddle, an emergency stop button, illuminated alarm button, and a key lock to secure against unauthorized access.

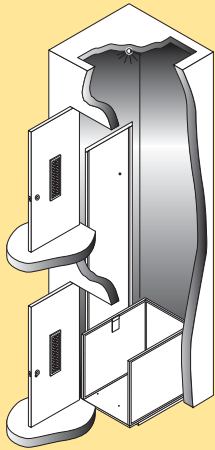


Convenient remote controls can be mounted on or near the lift or in the gate or door frame giving instant accessibility.

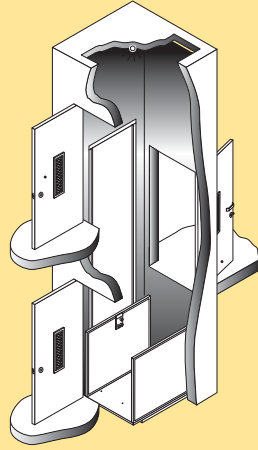


# Hoistway Configurations:

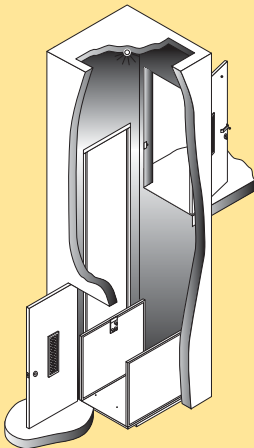
Porch-Lift S model vertical platform lifts are often installed inside of hoistways. Below are popular configurations.



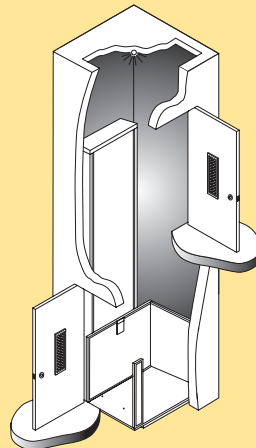
Enter/exit same side



Three stop



Enter/exit straight through



90° side exit

## Finish colors

Ivory powder coat is the standard finish color. Powder coating is more durable than typical paint, protecting the lift and adding years of beauty. Or you may select one of 180 special colors.



Ivory (standard)



Taupe



Pearl gray



Sable brown

Special order colors  
(from RAL color chart)



## Three operating systems

- A/C power recirculating ballscrew drive.
- Battery power recirculating ballscrew drive.
- Battery power 1:2 roped hydraulic drive.

Battery operation ensures dependable, uninterrupted service even in the event of a power failure. Our exclusive SmartCharge™ technology automatically recharges the batteries as needed.

## Common features:

- Mechanical interlocks prevent lift operation until gates and doors are closed and locked.
- Two mounting configurations: floor mount with a ramp, or pit mount—which eliminates the need for a ramp.
- Multiple platform sizes with non-skid surfaces to meet varying space and use requirements.
- Three platform enter/exit configurations: same side, straight through, or 90° side exit.
- All models are designed for indoor or outdoor applications.
- Conveniently located platform controls for easy operation.
- Remote controls enable the lift to be operated from all landings.
- Security key locks prevent unwanted use.
- Ivory powder coat is the standard finish color.
- Warranty: Drive train carries a two-year limited warranty and component parts carry a one-year limited warranty.

## Site preparation by others

In order to prepare the site for installation, others must complete the following:

- 1) 115V, single phase, 20 amp electrical connection for lift with disconnect switch.
- 2) All lighting.
- 3) Construction of a 4" thick, 3500 PSI, level, reinforced concrete pad which the lift base will be anchored.

Visit our web site at [www.tkaccess.com](http://www.tkaccess.com) for more information including complete 3-part specifications, CAD details, and typical drawings.

Specifications and/or colors subject to change without notice.

Porch-Lift Specifications/Options	Model				
	S	TG	ENC 2.0	EZE	P
Rated load:	750 lbs.				
Speed with rated load: ballscrew drive optional hydraulic drive	9-12 fpm 18-21 fpm				9-12 fpm
Power supply:	115 VAC, 60 Hz, 20 amp				
Motor:	A/C ballscrew: 1/2 hp, 120 VAC, 60 Hz reversible D/C ballscrew: 1/2 hp, 24 VDC, reversible D/C hydraulic: 3/4 hp motor, 24 VDC				A/C ballscrew: 1/2 hp, 120 VAC, 60 Hz
Drive system: A/C powered ballscrew Battery powered ballscrew Battery powered hydraulic	Standard Optional Optional	Standard Optional Optional	Standard Optional Optional	Standard Optional Optional	Standard n/a n/a
Platform sizes:	36"x48" Std, 36"x56" Opt, 36"x60" Opt, 42"x60" Opt (90° only)	36"x60" Std, 36"x48" Opt	36"x60" Std	36"x60" Std	36"x48" Std
Platform configurations: Straight-thru 90° side exit Enter/exit same side	Standard Optional Optional	Standard Optional n/a	Standard Optional Optional	Standard Optional Optional	Standard n/a n/a
Platform controls:	Constant pressure paddle with key lock and emergency stop and alarm				
Maximum lifting height:	14'-3"	4'-4"	14'-3"	14'-2"	6'-3"
Maximum stops:	3	2	3	3	2
Remote controls with key lock:	Optional	Standard	Optional	Standard	Standard
Ivory powder coat finish:	Standard	Standard	Standard	Standard	Standard
42" high guard panels:	Standard	Standard	Standard	Standard	Standard
Grab rail:	Standard	Standard	Standard	Standard	Optional
Select from gates or standard-sized doors, including fire-rated doors and extra wide gates:	Optional	Optional	Optional	Optional	n/a
Fixed access ramp, or optional automatic folding ramp for applications where there is no pit:	Standard	Standard	Standard	Standard	Powered auto
Over 180 custom colors:	Optional	Optional	Optional	Optional	Optional
Acrylic guard panel inserts:	Optional	Optional	Optional	Optional	n/a
Auto-Opener™ for doors and gates:	Optional	Optional	Optional	Optional	n/a
Attendant operated package:	Optional	n/a	n/a	n/a	n/a
Telephone jack on platform:	Optional	Optional	Optional	Optional	n/a
Warranty: 2 year drive train, 1 year parts:	Standard	Standard	Standard	Standard	Standard
UL/ETL listed up to 168" lifting height:	Standard	Standard	Standard	Standard	n/a
ASME A-18.1 code compliant:	Standard	Standard	Standard	Standard	n/a



ThyssenKrupp Access has teamed with Ron Blank & Associates to become a Continuing Education System (CES) provider.

This is a free face-to-face based, Lunch and Learn program where your designers will learn ADA standards for Wheelchair Lifts and Limited Use Limited Application (LU/LA) Elevators. Course credits are automatically reported and a course report and certificate of completion are automatically provided. For more information, go to [www.tkaccess.com/ces](http://www.tkaccess.com/ces) or call our Architectural & Engineering Representatives at 800-925-3100 Ext 5472.

*Committed to improving the quality of life. ThyssenKrupp Access, the world's most trusted name in accessibility and home elevator solutions.*

Manufactured in USA since 1947.



6M1108-PM48revF



ThyssenKrupp Access Manufacturing, LLC  
4001 East 138th Street  
Grandview, MO 64030

**800.829.9760**  
**[www.tkaccess.com](http://www.tkaccess.com)**